

CORDLESS BATTERY POWER PACK

for Nikon Motor Drive F-36

(20FA94D)

PARTS LIST

(REVISED)-1

NIPPON KOGAKU K.K.

Tokyo, Japan

(71. 6. c) H

CONTENTS

	Page
Illustrations (Fig.1 - Fig.5)	1 - 3
Wiring diagram (Fig.6).	4
Neck strap.	4
Parts list.	5 - 11
Subassembly list.	12
Adhesive agent.	12

NOTE:

1. Marks in the "Term of Sale" column of the parts list are:

- Can be supplied individually
- △..... Not supplied individually but only as subassembly
- △..... Supplied either as part or subassembly
- ×..... Not considered as repair part
- ◻..... Delivered as a product from the Sales Department
(i.e., not supplied as repair part)

2. When ordering any spare part, give work No. (20FA94D -
work-shop code No.) in front of the part No.

Fig. 1

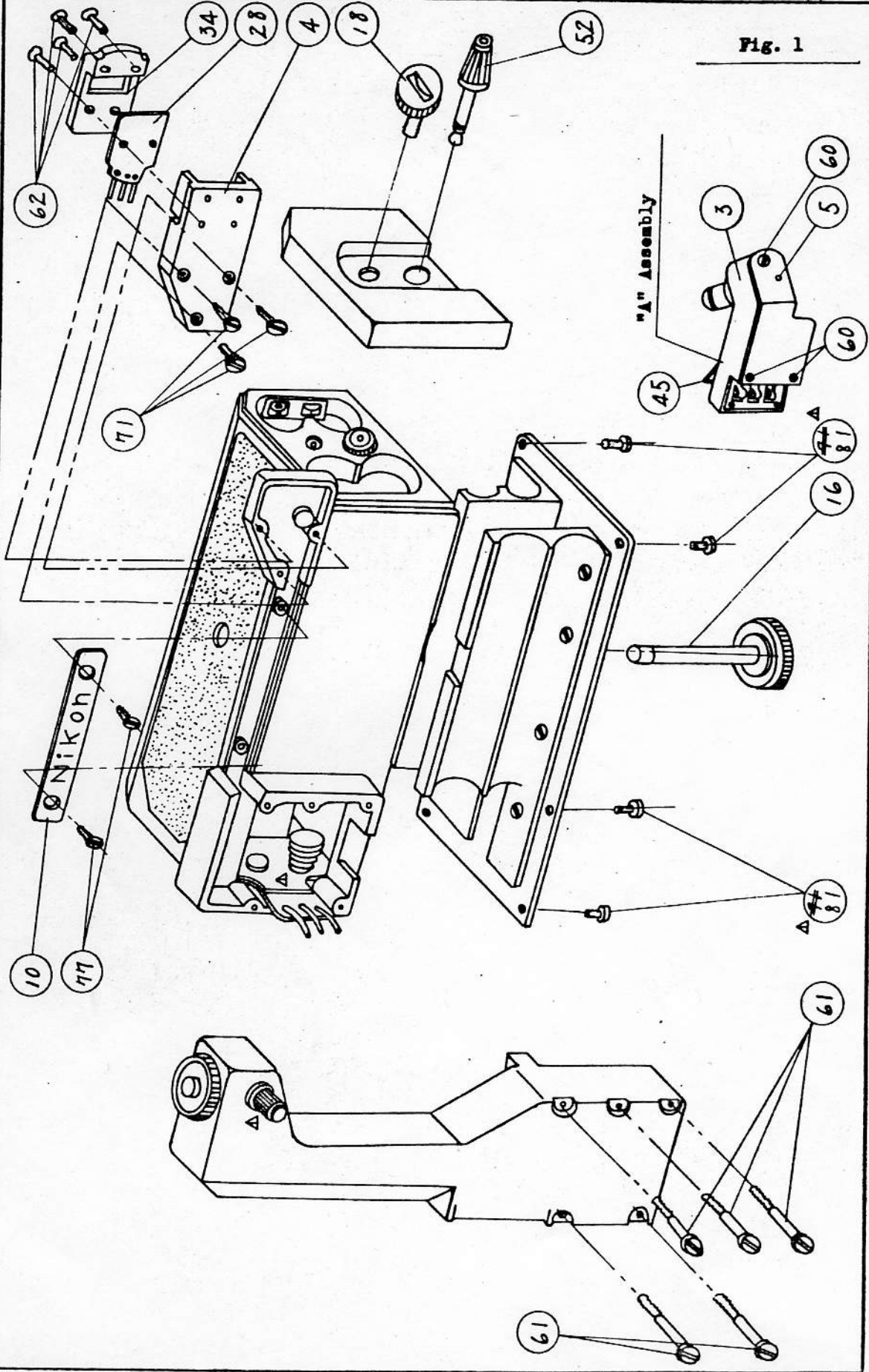
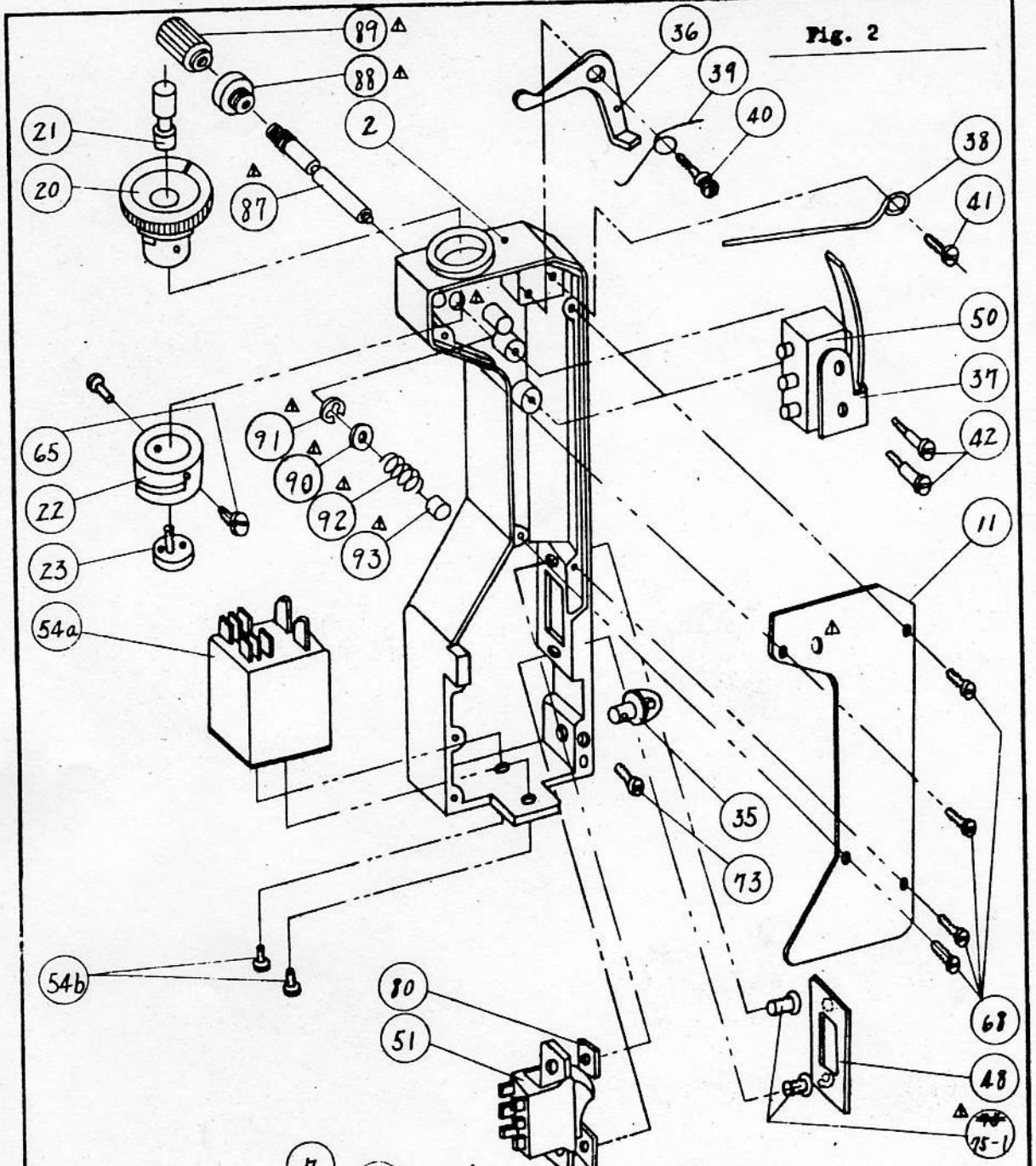
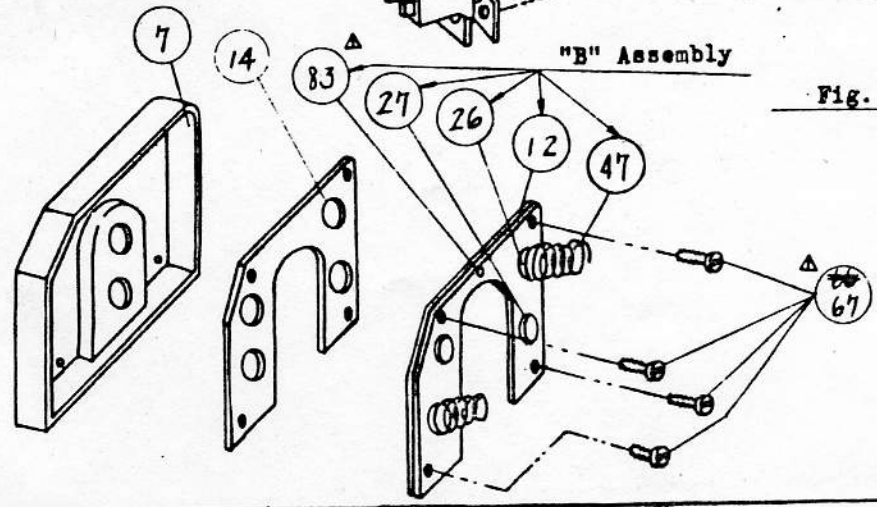


Fig. 2



"B" Assembly

Fig. 3



Revision-1 Δx12

Fig. 4

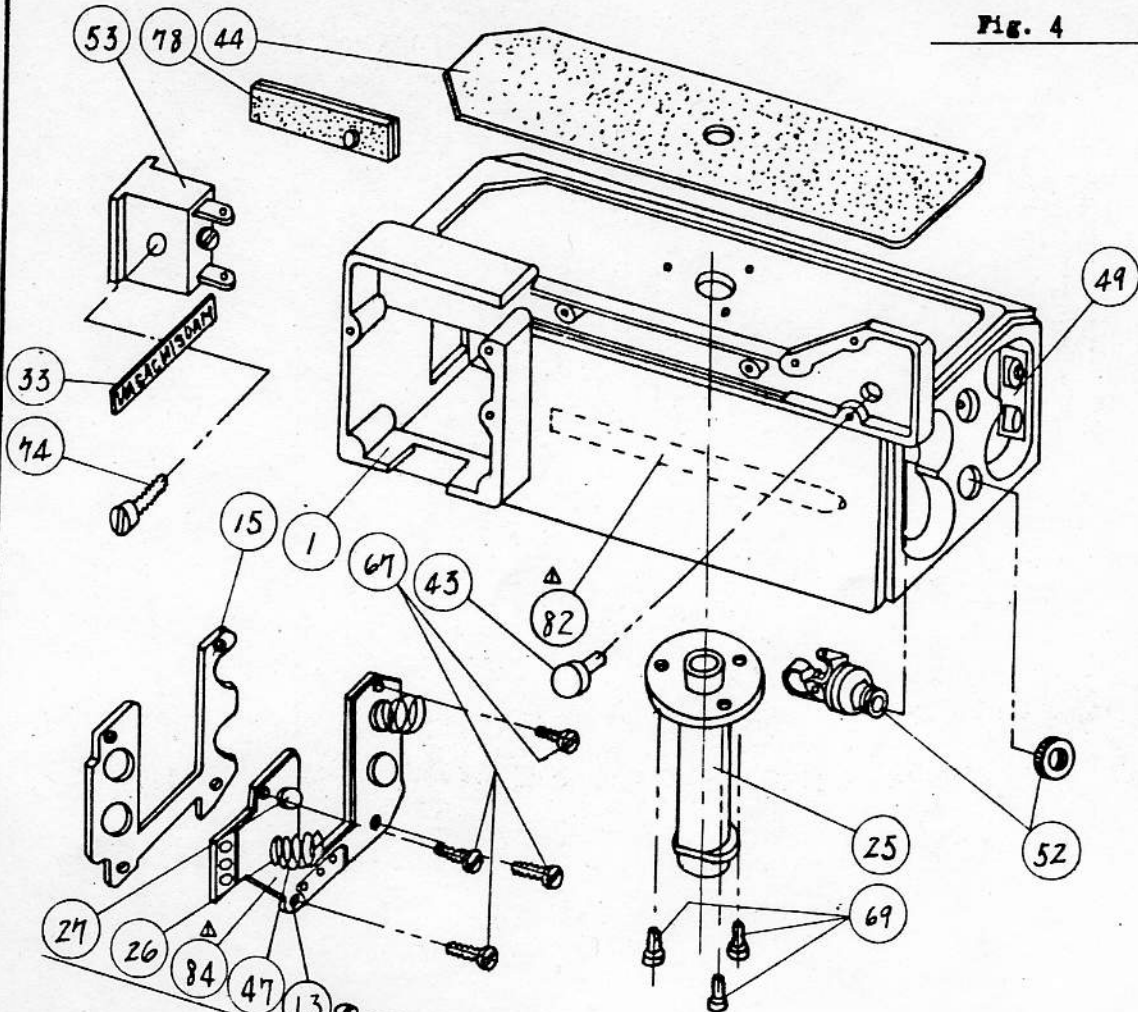
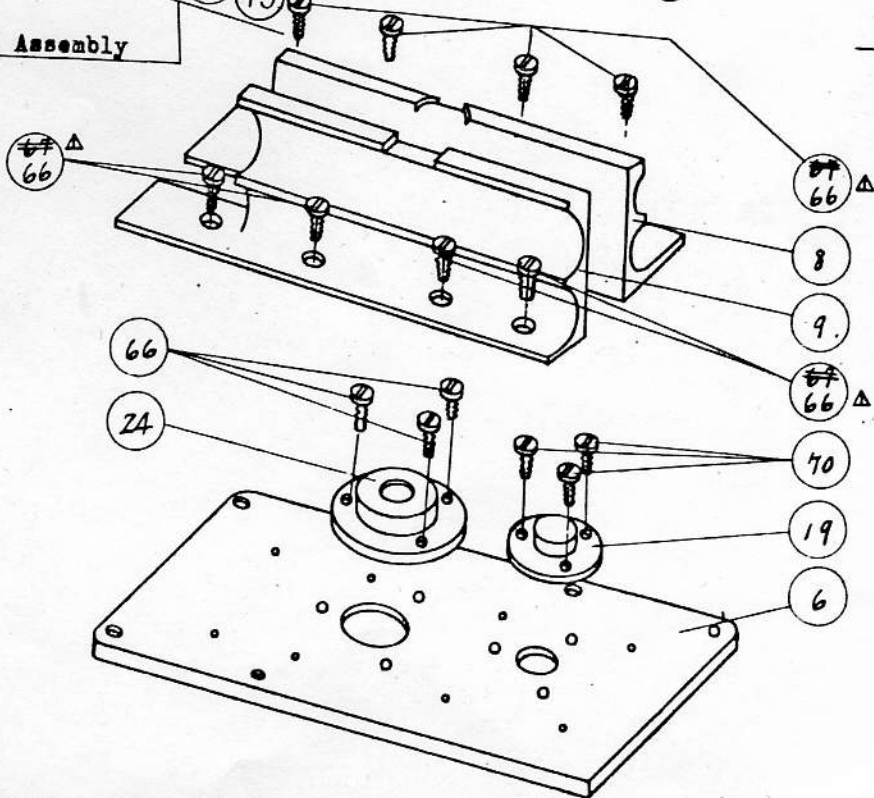


Fig. 5

"C" Assembly



Revision-1 Δx5

